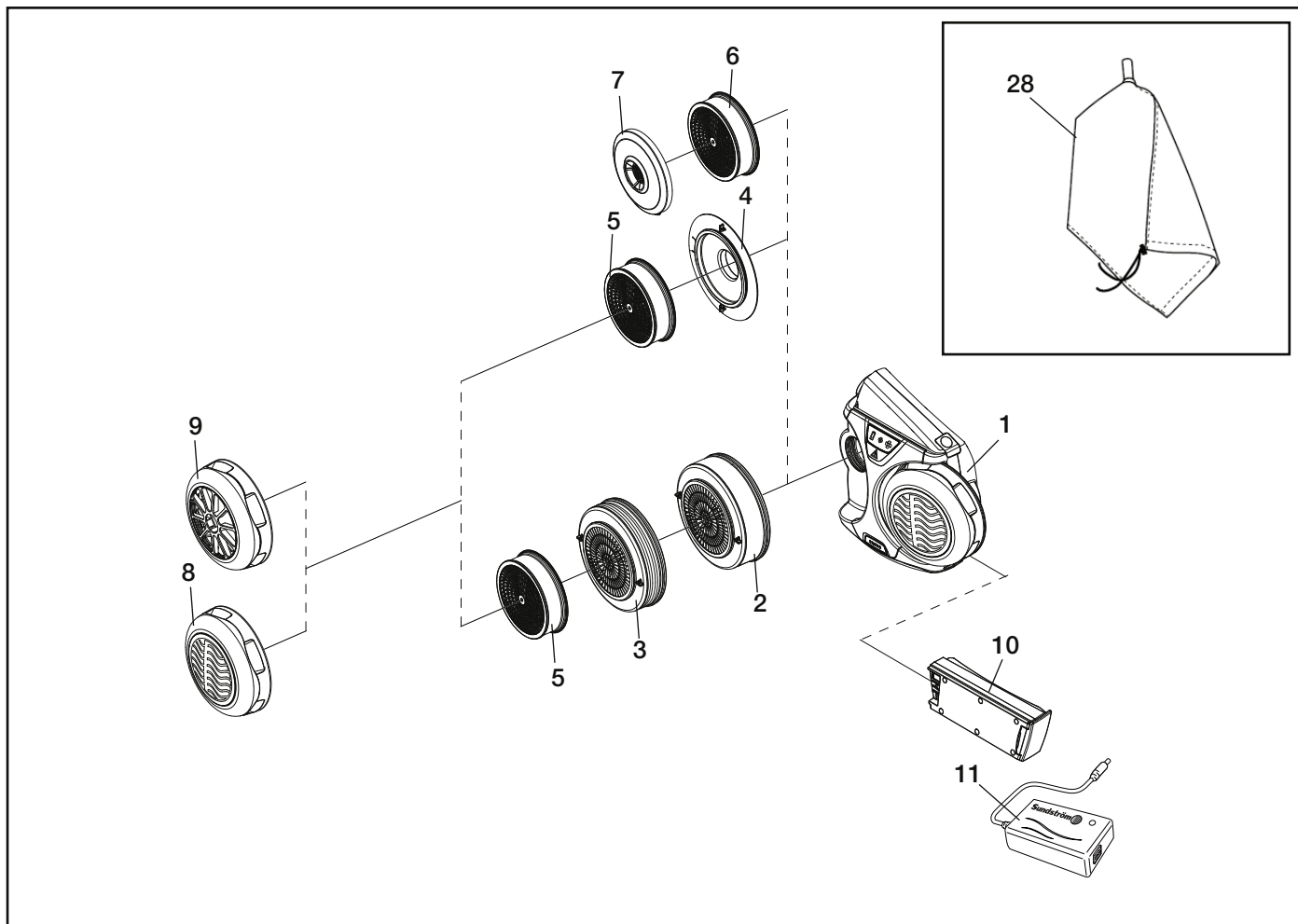




SR 500

SYSTEM OVERVIEW



No.	Description	Name	Art No.
1.	Fan unit	SR 500	R06-0121
2.	Chemical cartridge CL/HC/SD/FM/AM/MA	SR 533	H02-7221
3.	Chemical cartridge OV/SD/CL/HC/HF	SR 532	H02-7121
4.	Filter adapter	SR 511	R06-0105
5.	P100/HE Particulate filter	SR 510	H02-1321
6.	HE Particulate filter	SR 710	H02-1521
7.	Pre-filter holder		R01-0605
8.	Pre-filter holder	SR 512	R06-0106
9.	Asbestos kit	SR 509	T06-0105
10.	Battery HD 3.5 Ah	SR 502	T06-0101
11.	Battery charger	SR 513	R06-0122
12.	Hood	SR 520 S/M	H06-0321
	Hood	SR 520 M/L	H06-0221
13.	Hood	SR 530	H06-0421
14.	Hood	SR 601	H06-5421
	Hood	SR 602	H06-5521
	Hood	SR 604	H06-5921
15.	Face shield	SR 570	H06-6521

No.	Description	Name	Art No.
16.	Face shield / Welding shield	SR 570/ SR 574	H06-6121
17.	Helmet with visor	SR 580	H06-8021
18.	Helmet with visor / Welding shield	SR 580 / SR 584	H06-8321
19.	Full face mask, PC visor	SR 200	H01-1221
	Full face mask, glass visor	SR 200	H01-1321
20.	Breathing hose 0,9 m PU	SR 550	T01-1216
	Breathing hose 0,7 m rubber	SR 551	T01-1218
21.	Half mask	SR 900 S SR 900 M SR 900 L	H01-3021 H01-3121 H01-3221
22.	Single Hose	SR 951	T01-3010
23.	Twin Hose	SR 952	R01-3013
24.	Harness	SR 552	T06-0116
25.	Belt cotton	SR 508	R06-0101
26.	Belt leather	SR 503	T06-0103
	Belt leather, Large	SR 503L	T06-0107
27.	Belt rubber	SR 504	T06-0104
28.	Flow meter	SR 356	R03-0346

