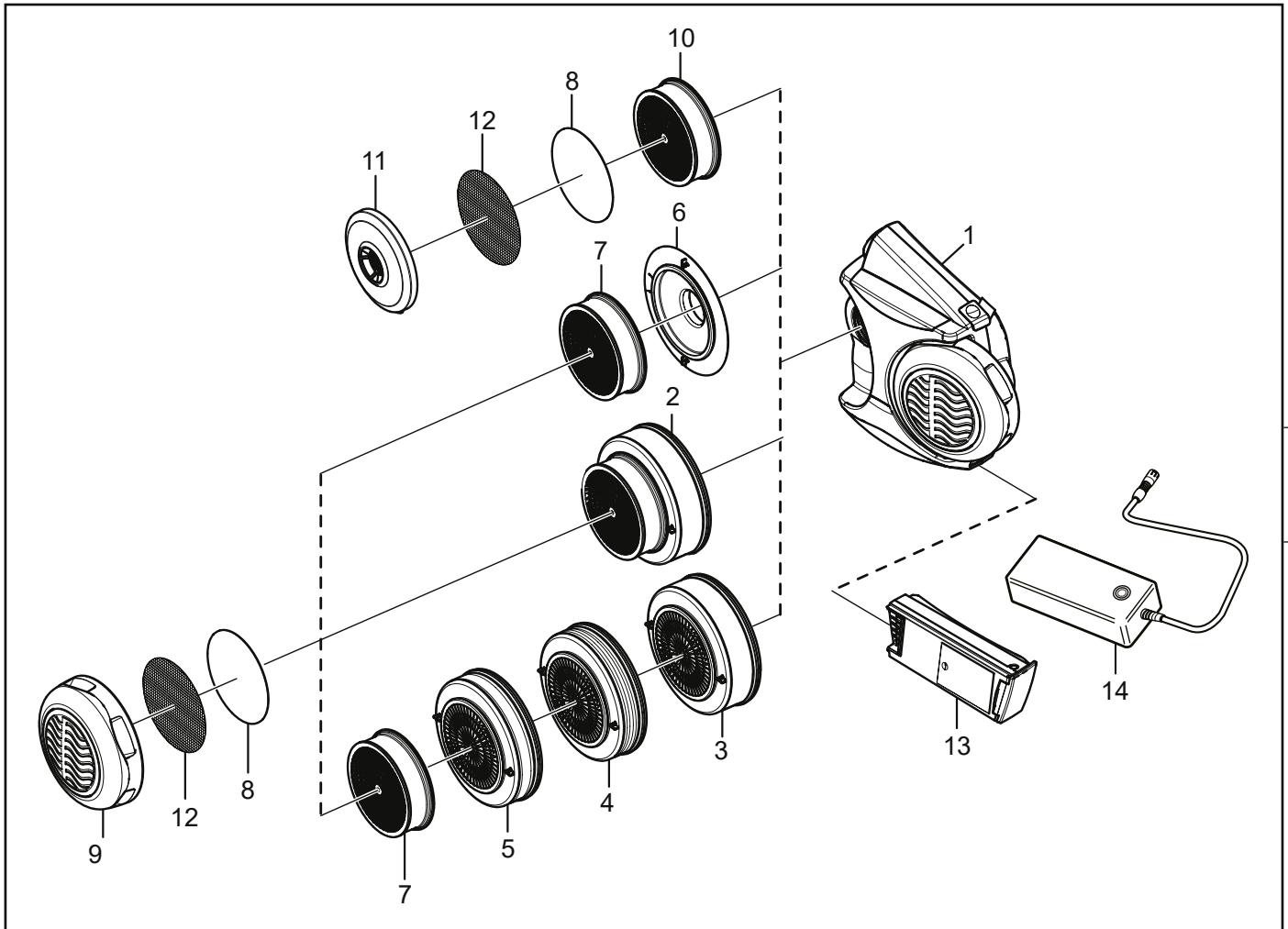


Sundström



SR 500 EX

SYSTEM OVERVIEW

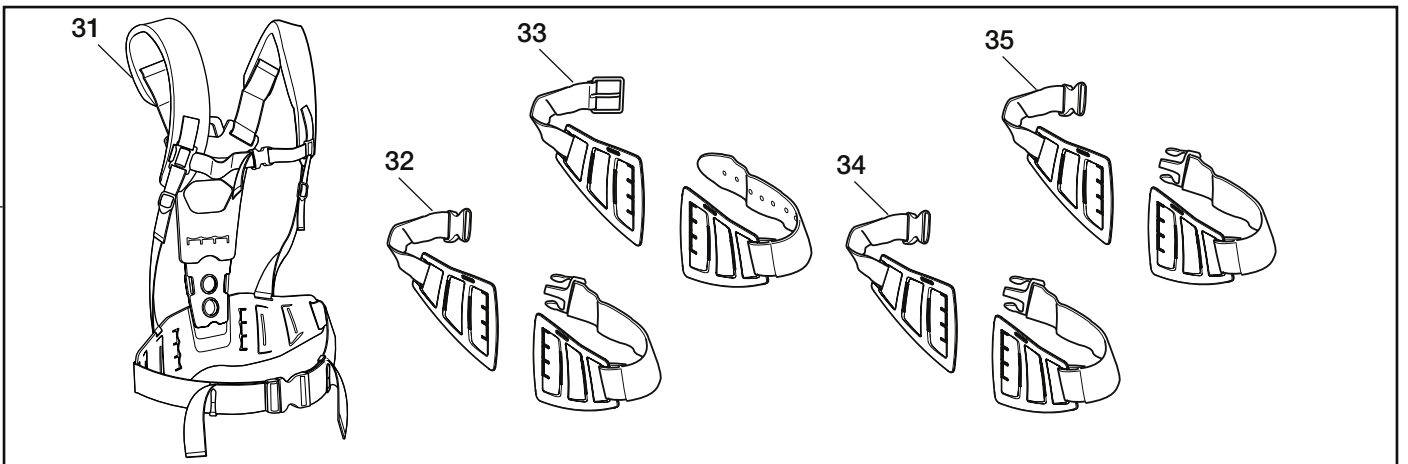
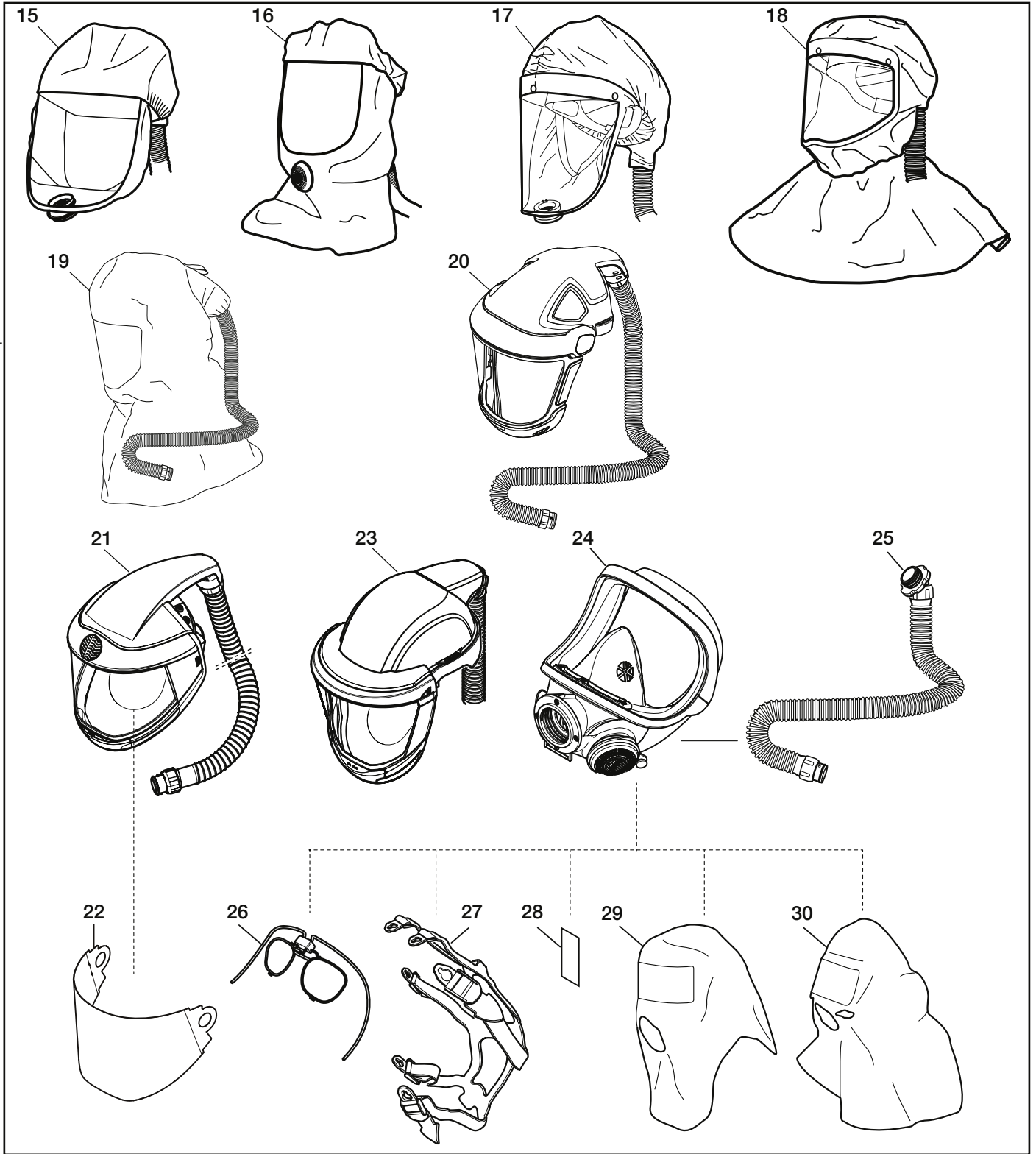


No.	Description	Name	Art No.	ATEX code
1.	Fan unit	SR 500 EX	R06-2001	
2.	Combined filter A1BE2K1-Hg-P3 R	SR 599	H02-7312	
3.	Gas filter A1BE2K1	SR 597	H02-7212	
4.	Gas filter ABE1	SR 515	H02-7112	
5.	Gas filter A2	SR 518	H02-7012	
6.	Filter adapter	SR 511	R06-0105	
7.	Particle filter P3 R	SR 510	H02-1312	
8.	Pre-filter	SR 221	H02-0312	
9.	Pre-filter holder	SR 512 EX	R06-2023	
10.	Particle filter P3 R	SR 710	H02-1512	
11.	Pre-filter holder		R01-0605	A)
12.	Steel net disc	SR 336	T01-2001	
13.	Battery (NiMh)	SR 501 EX	R06-2002	
	Battery, 3,0 Ah (Li-Ion)	SR 502 EX	R06-2070	
14.	Battery charger (NiMh)	SR 513 EX	R06-2003	
	Battery charger (Li-Ion)		R06-2081	
15.	Hood	SR 520 S/M	H06-0312	B)
	Hood	SR 520 M/L	H06-0212	B)
16.	Hood	SR 530	H06-0412	B)
17.	Hood	SR 562	H06-5112	B)
18.	Hood	SR 561	H06-5012	B)
19.	Hood	SR 601	H06-5412	B)
	Hood	SR 602	H06-5512	B)

No.	Description	Name	Art No.	ATEX code
20.	Face shield	SR 570	H06-6512	B)
21.	Face shield	SR 540 EX	H06-6012	A)
22.	Alt. Visor	SR 545	T06-0502	
23.	Helmet with visor	SR 580	H06-8012	A)
24.	Full face mask laminated glass visor	SR 200	H01-1312	B)
	Full face mask PC-visor	SR 200	H01-1212	A)
25.	Breathing hose PU	SR 550	T01-1216	
	Breathing hose rubber	SR 551	T01-1218	
26.	Spectacle frame for corrective lenses	SR 341	T01-1201	
27.	Head harness rubber	SR 340	T01-1215	
28.	Name label	SR 368	R09-0101	
29.	Protective hood	SR 64	H09-0301	
30.	Chemical hood	SR 345	H09-1012	
31.	Harness EX	SR 552 EX	T06-2002	
32.	Belt cotton EX	SR 508 EX	R06-2148	
33.	Belt leather EX	SR 503 EX	T06-2149	
34.	Belt rubber EX	SR 504 EX	T06-2150	
35.	Belt PVC EX		T06-2151	

A) Ex II 2 G Ex ib IIA T3 Gb / II 2 D Ex ib IIIC T195°C Db

B) Ex II 2 G Ex ib IIB T3 Gb / II 2 D Ex ib IIIC T195°C Db



The fan unit SR 500 EX is manufactured within a quality management system accepted by
Notified Body 2849: INSPEC International B.V.,
Beechavenue 54-62, 1119 PW,
Schiphol-Rijk, The Netherlands



Sundström Safety AB
SE-341 50 Lagan • Sweden
Tel: +46 10 484 87 00
info@srsafety.se • www.srsafety.com