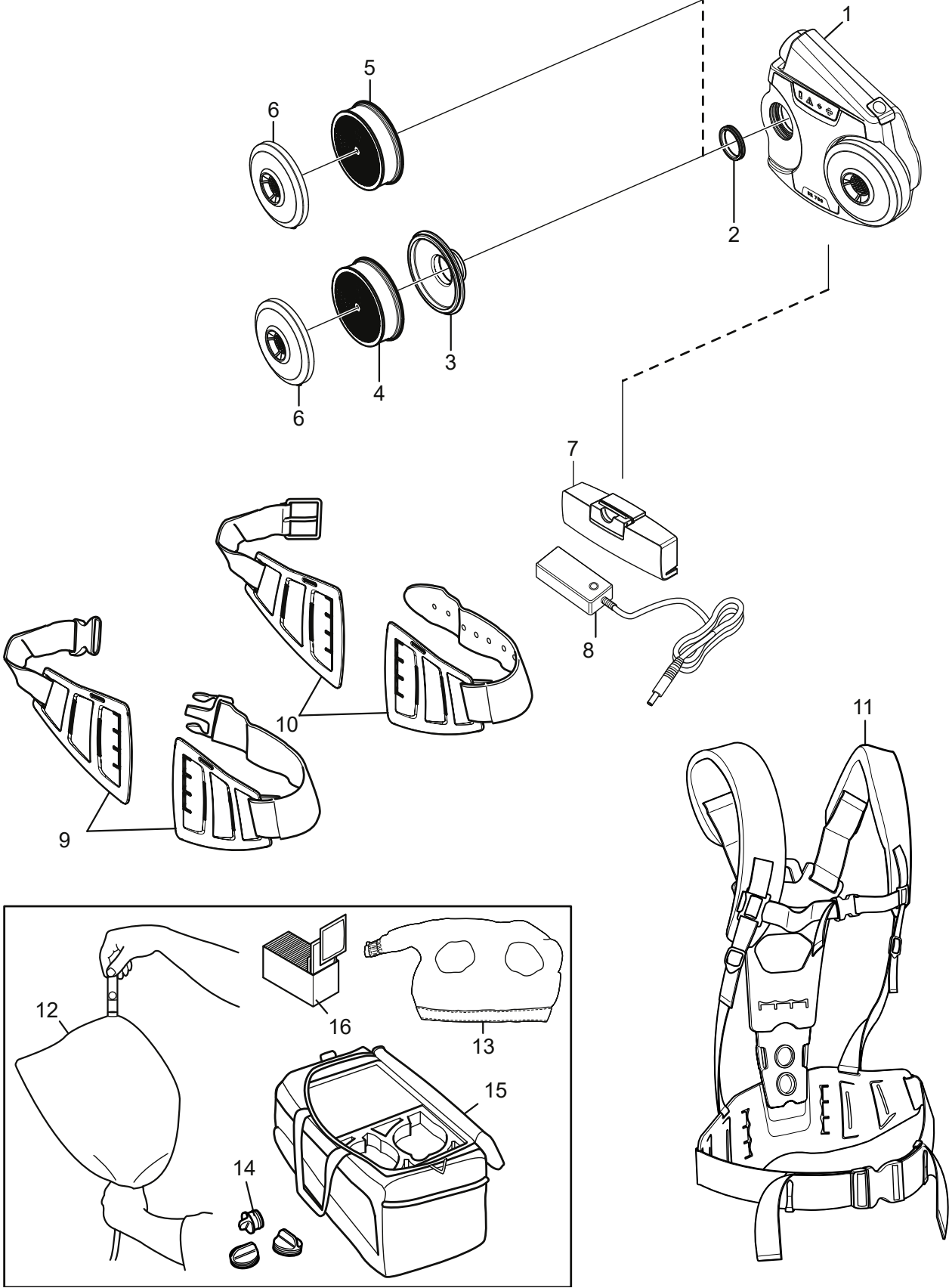


Spare parts / Accessories



No.	Description	Ordering No.
1.	Fan unit SR 700, bare	R06-0721
2.	Gasket	R06-0107
3.	Filter adapter SR 711	R06-0701
4.	Particulate filter P100/HE, SR 510	H02-1321
5.	Particulate filter HE, SR 710	H02-1521
6.	Pre-filter holder	R01-0605
7.	HD Battery, SR 702, 3,5 Ah	T06-0701
8.	Battery charger	R06-0437
9.	Belt SR 508	R06-0101
	Rubber belt SR 504	T06-0104
	Belt PVC	T06-0124
10.	Leather belt SR 503	T06-0103
	Leather belt SR 503, Large	T06-0107
11.	Harness SR 552	T06-0116
12.	Flow meter SR 356	R03-0346
13.	Splash cover SR 514	T06-0114
14.	Plug kit	R06-0703
15.	Storage bag SR 505	T06-0102
16.	Cleaning wipe. 50/box	H09-0401