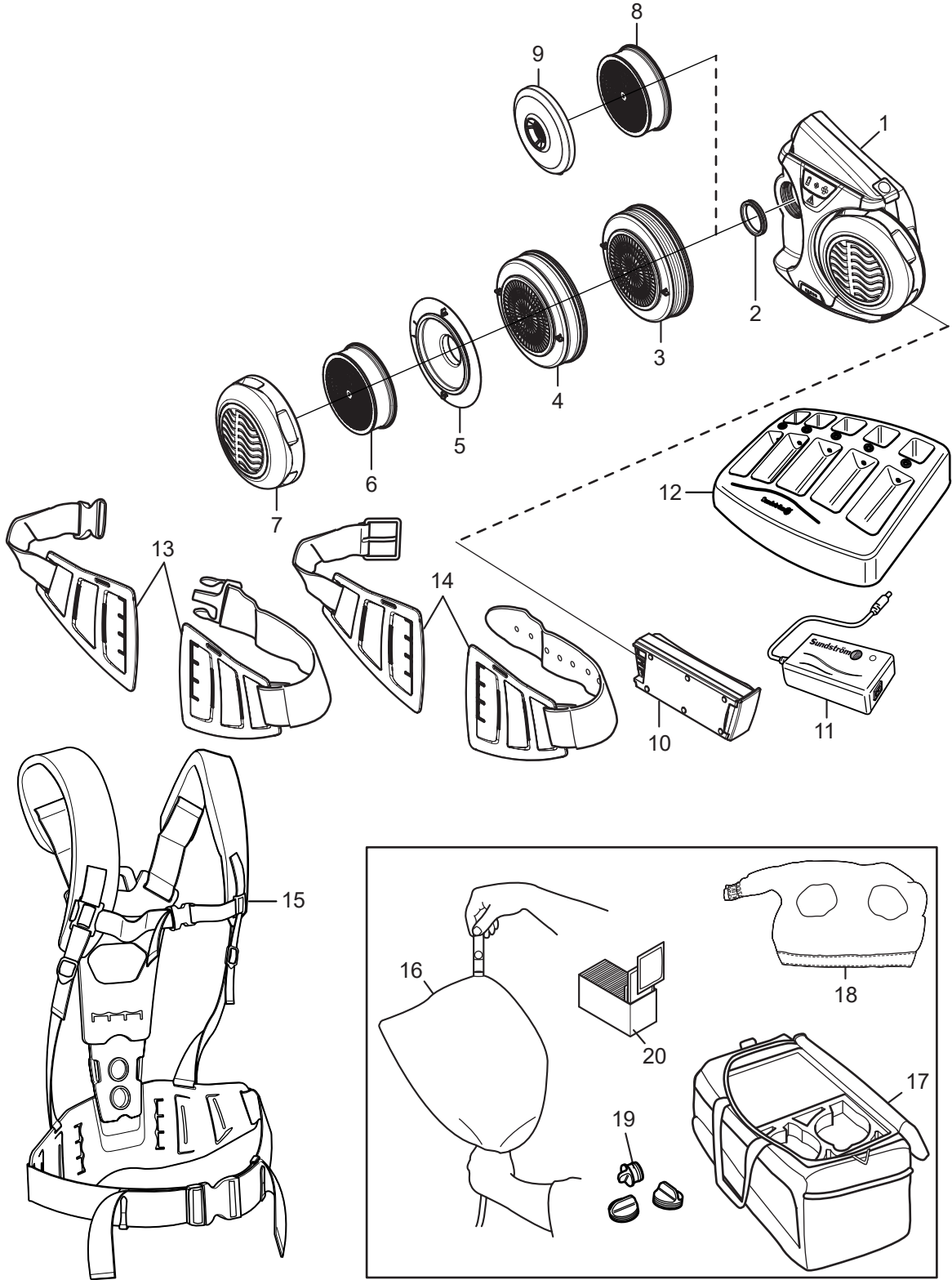


Spare parts / Accessories



| No. | Description | Ordering No. |
|------------|--|---------------------|
| 1. | Fan SR 500, bare | R06-0121 |
| 2. | Gasket | R06-0107 |
| 3. | Chemical cartridge OV/SD/CL/HC/HF, SR 532 | H02-7121 |
| 4. | Chemical cartridge CL/HC/SD/FM/AM/MA, SR 533 | H02-7221 |
| 5. | Filter adapter SR 511 | R06-0105 |
| 6. | Particulate filter P100/HE, SR 510 | H02-1321 |
| 7. | Pre-filter holder SR 512 | R06-0106 |
| 8. | Particulate filter HE, SR 710 | H02-1521 |
| 9. | Pre-filter holder | R01-0605 |
| 10. | HD battery, 3.5 Ah | T06-0101 |
| 11. | Battery charger SR 513 | R06-0122 |
| 12. | Charging station without chargers SR 506 | T06-0117 |
| | Charging station, complete SR 516 | T06-0118 |
| 13. | Belt PES SR 508 | R06-0101 |
| | Rubber belt SR 504 | T06-0104 |
| 14. | Leather belt SR 503 | T06-0103 |
| | Leather belt SR 503L | T06-0107 |
| 15. | Harness SR 552 | T06-0116 |
| 16. | Flow meter SR 356 | R03-0346 |
| 17. | Storage bag SR 505 | T06-0102 |
| 18. | Splash cover SR 514 | T06-0114 |
| 19. | Plug kit | R06-0703 |
| 20. | Cleaning wipes SR 5226, box of 50 | H09-0401 |